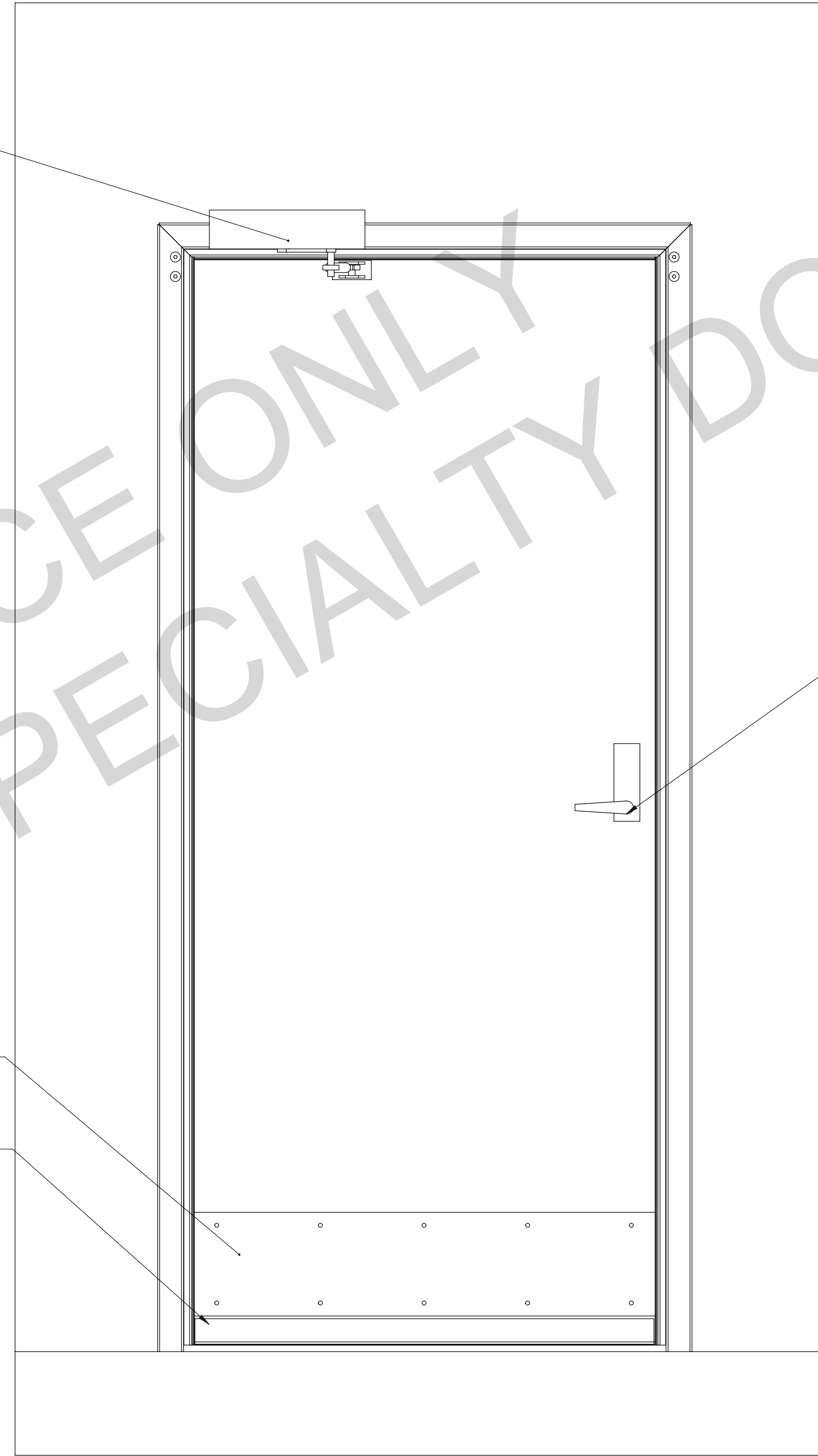


STANDARD HYDRAULIC DOOR CLOSER

STANDARD DOOR HANDLE

STANDARD DOOR KICK PLATE

AUTOMATIC DOOR BOTTOM



STANDARD DOOR HANDLE

STANDARD BALLISTIC DOOR
GENERAL LAYOUT FOR 3FT X 7FT DOORS
UL752 UL LEVEL 8 (.30 CAL. 7.62 NATO FMJ).
NOTE: WALL THICKNESS MAY VARY

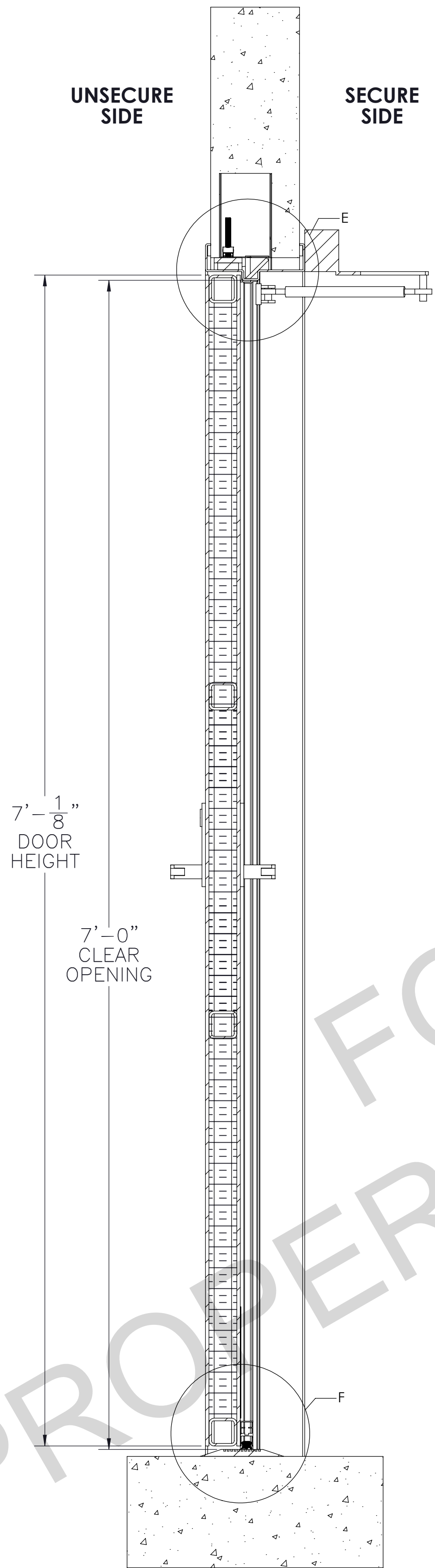
FOR REFERENCE ONLY
 PROPERTY OF GPS SPECIALTY DOORS

STANDARD BALLISTIC DOOR ELEVATIONS

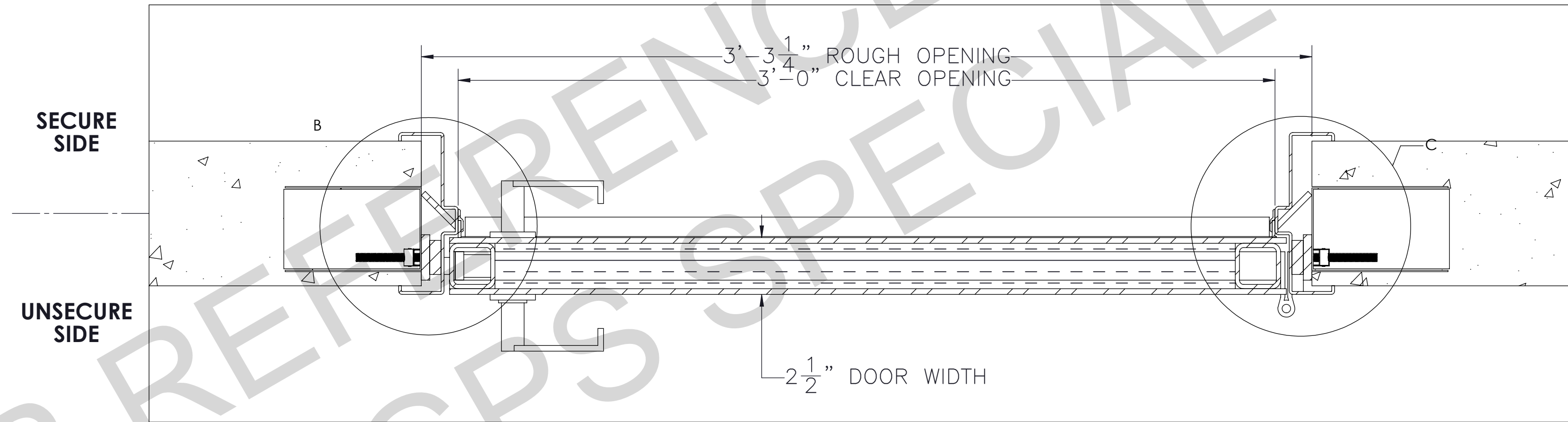
PROPRIETARY NOTICE
 THIS DRAWING CONTAINS PROPRIETARY INFORMATION OF GPS SPECIALTY DOORS AND IS THE PROPERTY OF GPS SPECIALTY DOORS. IT IS TO BE USED ONLY FOR THE PROJECT AND SITE SPECIFICALLY IDENTIFIED IN THE TITLE BLOCK. ANY REPRODUCTION, DISSEMINATION OR USE WITHOUT SPECIFIC WRITTEN AUTHORIZATION FROM GPS SPECIALTY DOORS IS STRICTLY PROHIBITED.

PROJECT:	STANDARD BALLISTIC DOOR, 3FT X 7 FT
LOCATION:	N/A
CUSTOMER:	N/A
ARCHITECT:	
ENGINEER:	
SCALE:	NIS
DRAWN BY:	DKH
CHECKED BY:	
DATE:	12/7/2016
PROJECT NO.:	SI
COLOR CODE:	
PROJECT CODE:	STD 3X7

	NO.	DATE	REVISION	NAME



**SECTION D-D
SCALE 1 : 6**



**SECTION A-A
SCALE 1 : 4**

**STANDARD BALLISTIC DOOR
SECTION VIEWS
TYPICAL ARRANGEMENT - SEE NEXT SHEET FOR DETAILS**

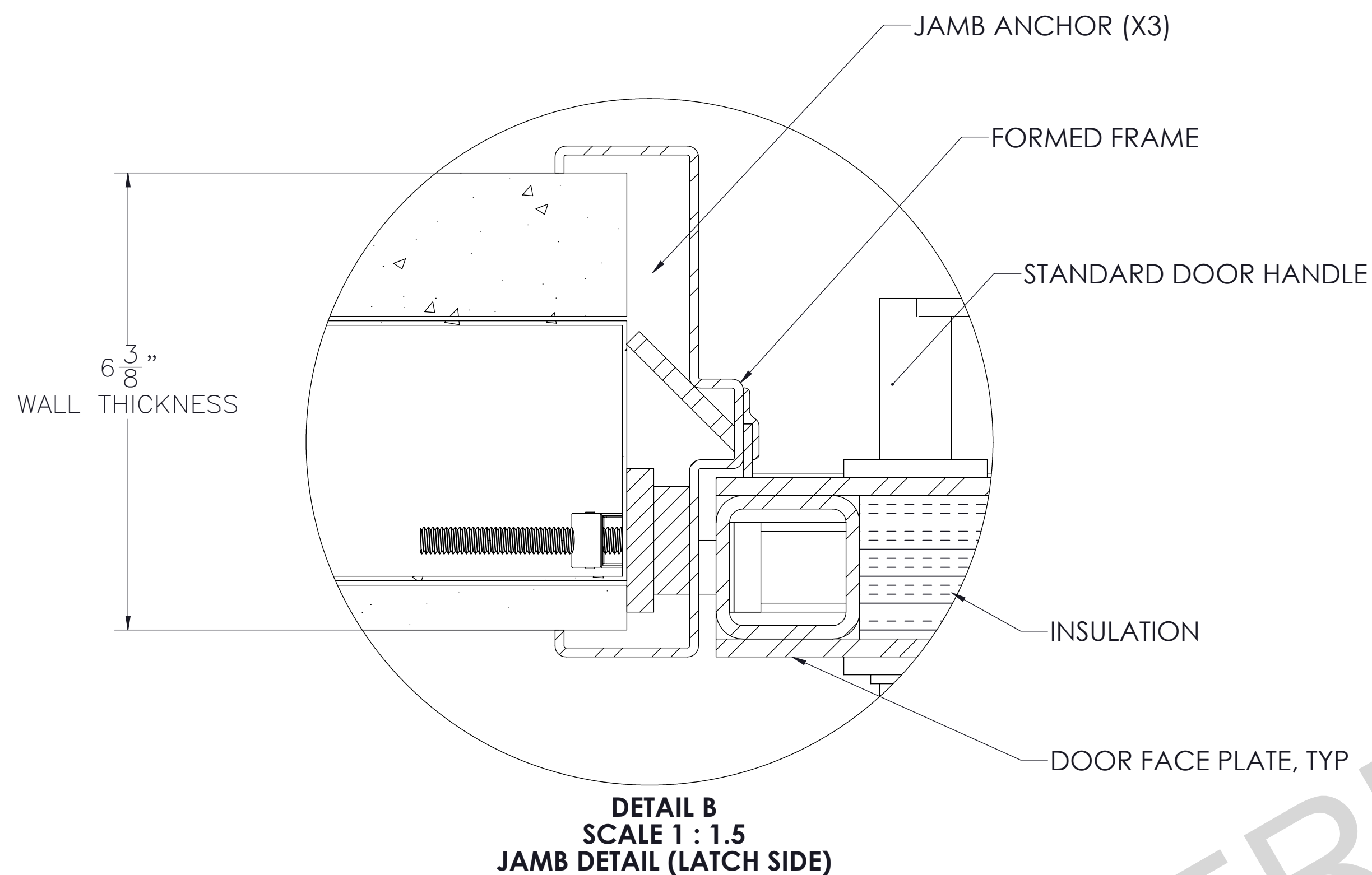
FOR REFERENCE ONLY
PROPERTY OF GPS SPECIALTY DOORS

THIS DRAWING IS THE PROPERTY OF
GPS
SPECIALTY DOORS
5 JUST ROAD, FAIRFIELD, NJ 07004
(973) 775-6200 FAX: (973) 775-2177

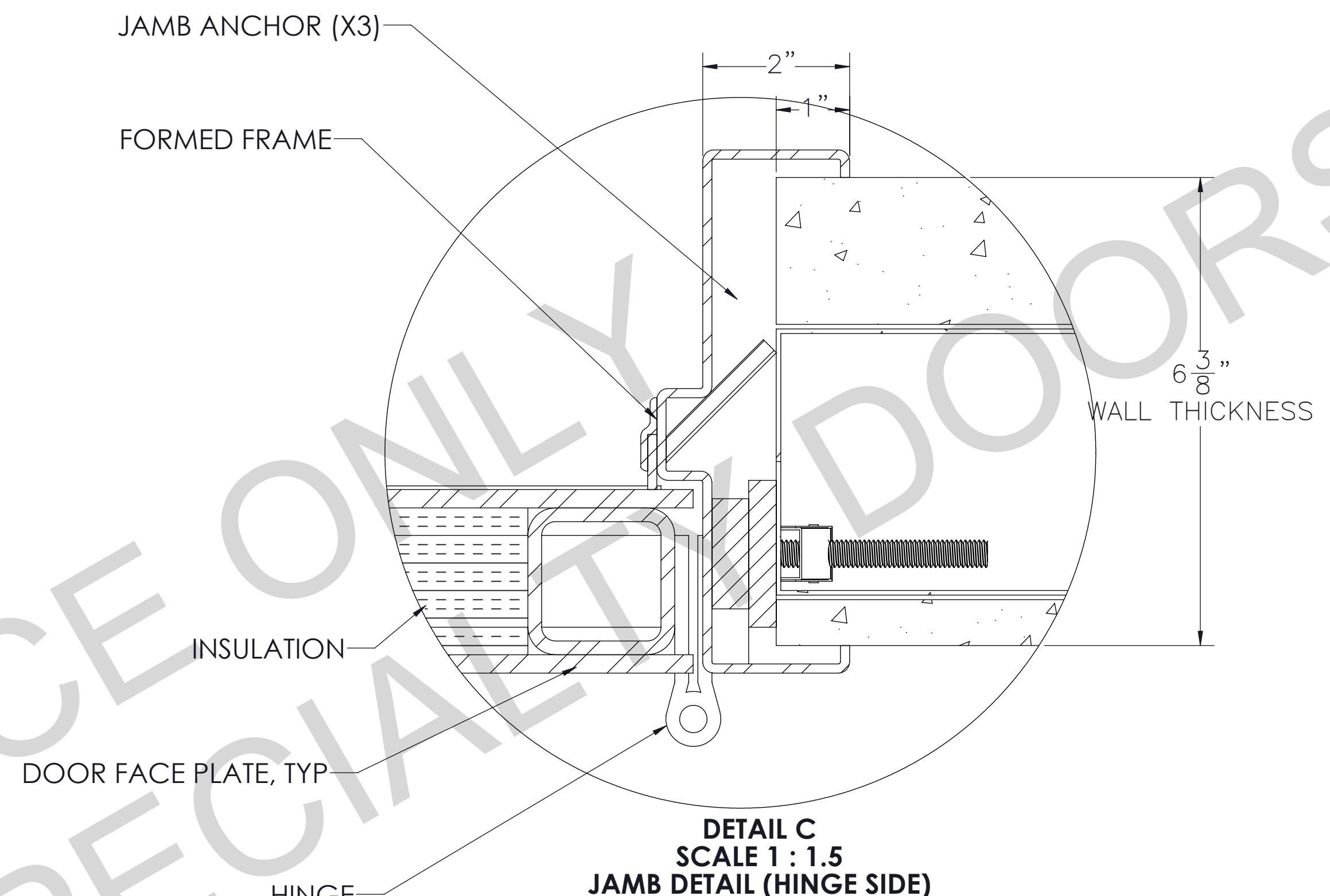
STANDARD BALLISTIC DOOR ELEVATIONS

PROJECT: STANDARD BALLISTIC DOOR, 3FT X 7 FT		SCALE: N/A		DATE: 12/7/2016	
LOCATION: N/A	CUSTOMER: N/A	SCALE: N/A	DATE: 12/7/2016	PROJECT NO: STD 3X7	SHEET NO: S2
ARCHITECT: E - STS	DRAWN BY: NIS	CHECKED BY: DKH	DATE: 12/7/2016	PROJECT NO: STD 3X7	SHEET NO: S2
DATE: 12/7/2016	DATE: 12/7/2016	DATE: 12/7/2016	DATE: 12/7/2016	PROJECT NO: STD 3X7	SHEET NO: S2
NO.	DATE	REGION	NAME	PROJECT NO: STD 3X7	SHEET NO: S2

PROPRIETARY NOTICE
THIS DRAWING CONTAINS PROPRIETARY INFORMATION OF GPS SPECIALTY DOORS AND IS THE RECEIPT OF THE MANUFACTURER'S DESIGN AND INVENTION AND ANY REPRODUCTION, REUSE OR DISSEMINATION OF THIS INFORMATION WITHOUT THE WRITTEN AUTHORIZATION FROM GPS SPECIALTY DOORS IS STRICTLY PROHIBITED.

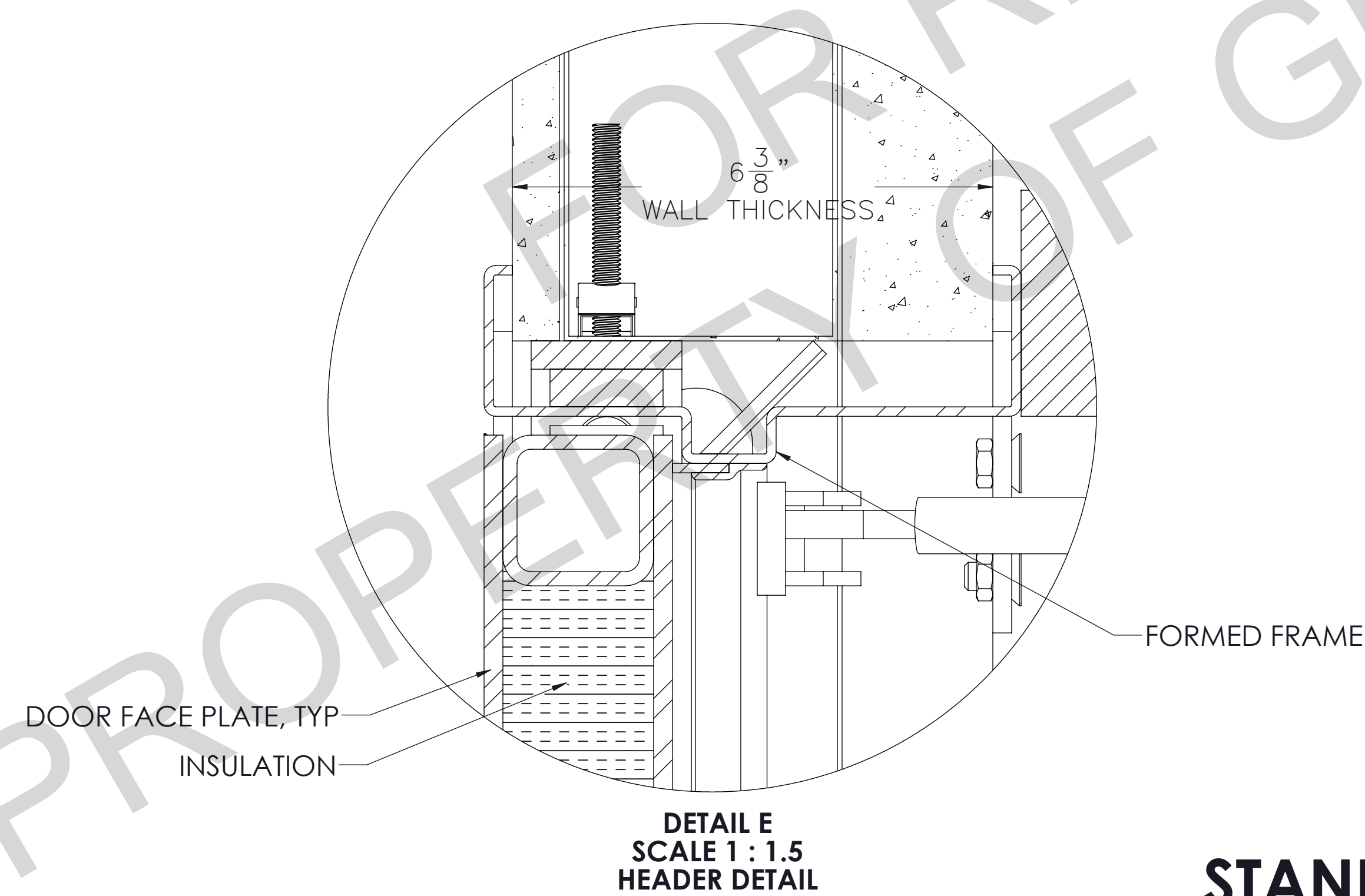


DETAIL B
 SCALE 1 : 1.5
 JAMB DETAIL (LATCH SIDE)

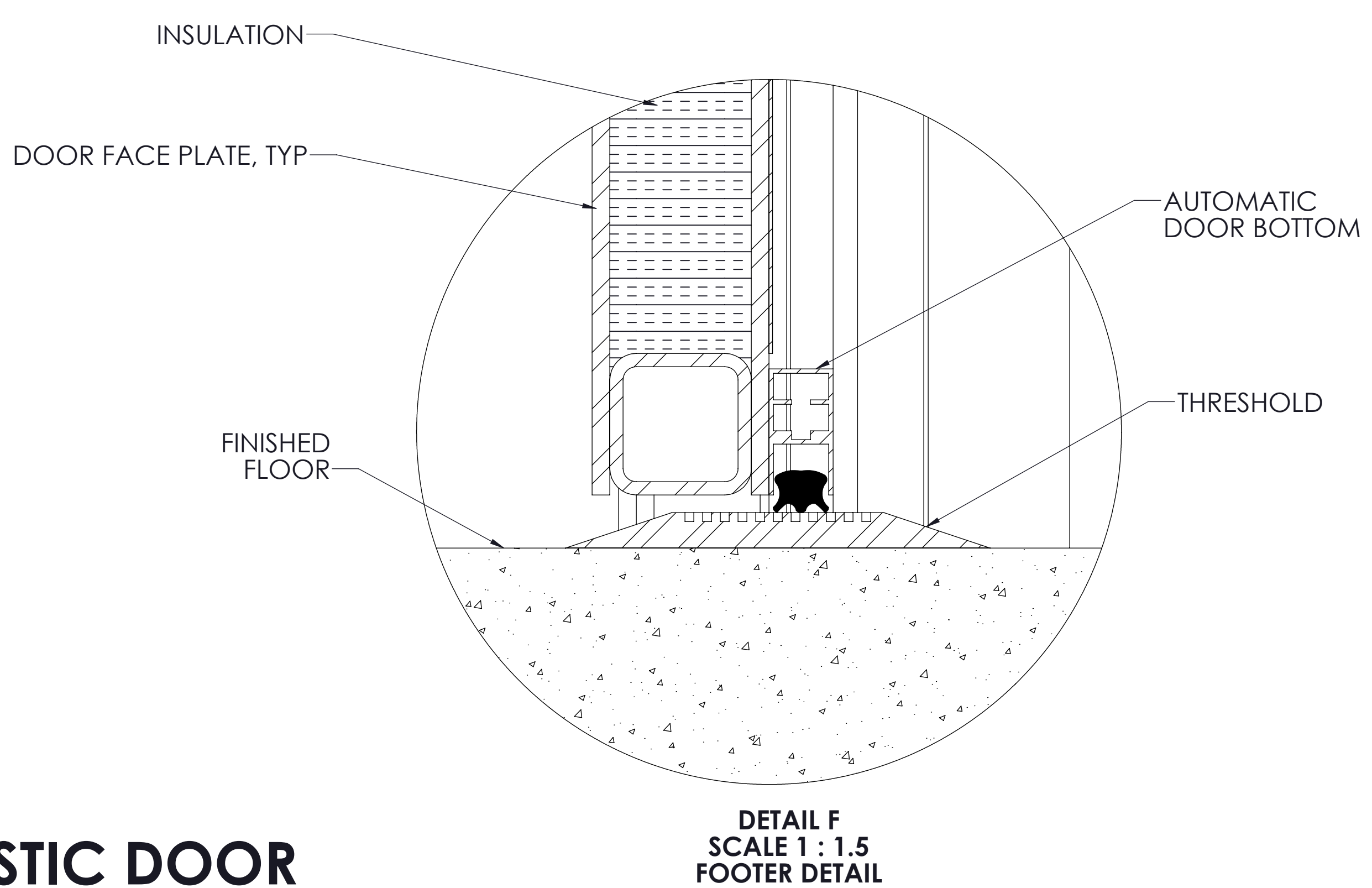


DETAIL C
 SCALE 1 : 1.5
 JAMB DETAIL (HINGE SIDE)

NOTE: DOOR ELEMENT DIMENSIONS AND SPECIFICATIONS MAY VARY DUE TO REQ'D BLDG DIMENSIONS



DETAIL E
 SCALE 1 : 1.5
 HEADER DETAIL



DETAIL F
 SCALE 1 : 1.5
 FOOTER DETAIL

**STANDARD BALLISTIC DOOR
 DETAIL VIEWS
 TYPICAL ARRANGEMENT**

STANDARD BALLISTIC DOOR DETAILS

PROPRIETARY NOTICE
 THIS DRAWING CONTAINS PROPRIETARY INFORMATION OF GPS SPECIALTY DOORS AND IS THE RECEIPT OF MANUFACTURE. REPRODUCTION, IN WHOLE OR IN PART, WITHOUT THE WRITTEN AUTHORIZATION OF GPS SPECIALTY DOORS IS STRICTLY PROHIBITED.

NO.	DATE	REGION	NAME

PROJECT:	STANDARD BALLISTIC DOOR, 3FT X 7 FT
LOCATION:	N/A
CUSTOMER:	N/A
ARCHITECT:	E - STS
SCALE:	NIS
DRAWN BY:	DKH
CHECKED BY:	
DATE:	12/7/2016
PROJECT NO.:	S3
PROJECT NAME:	STD 3X7