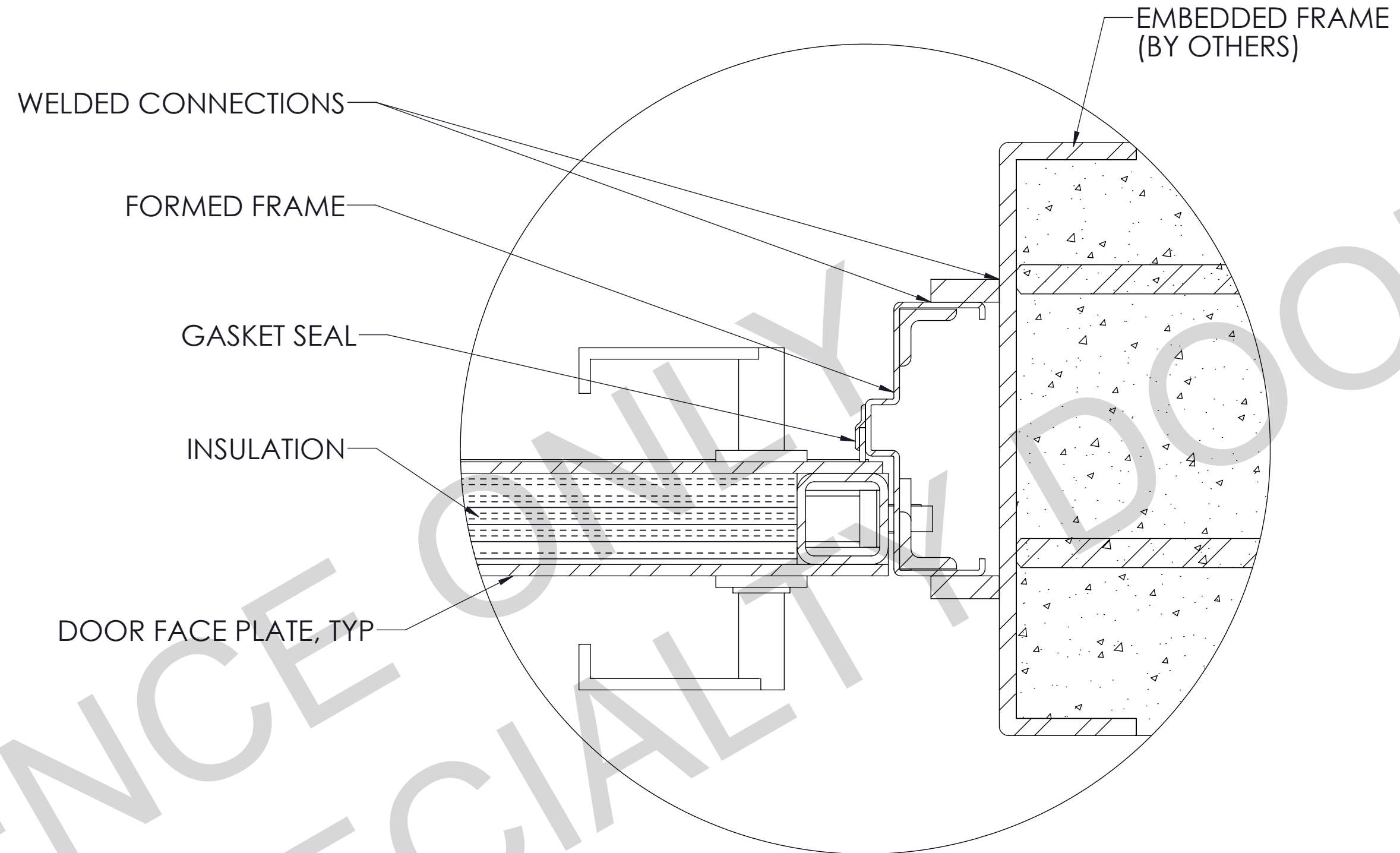
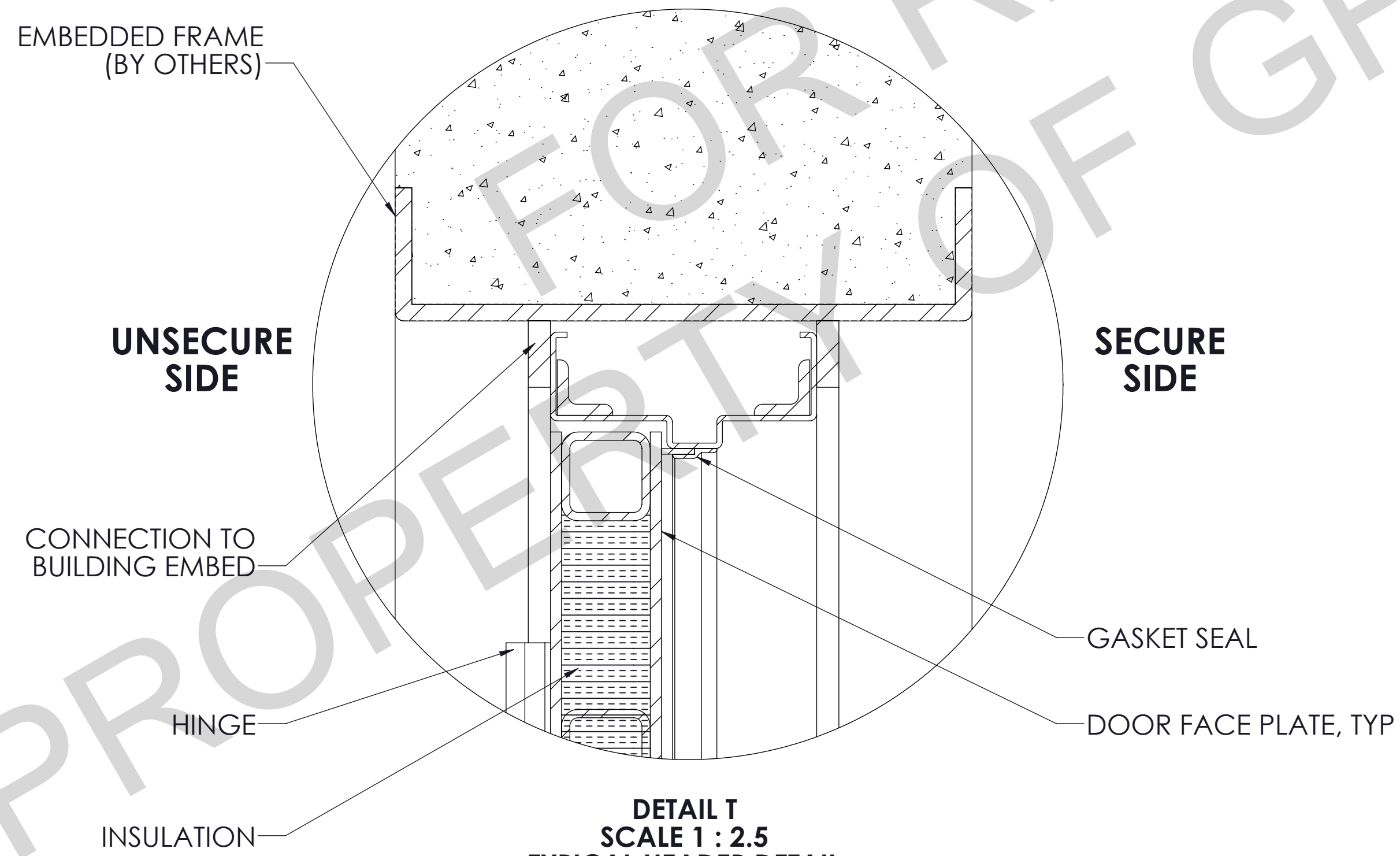


DETAIL P
SCALE 1 : 2.5
TYPICAL JAMB DETAIL (HINGE SIDE)

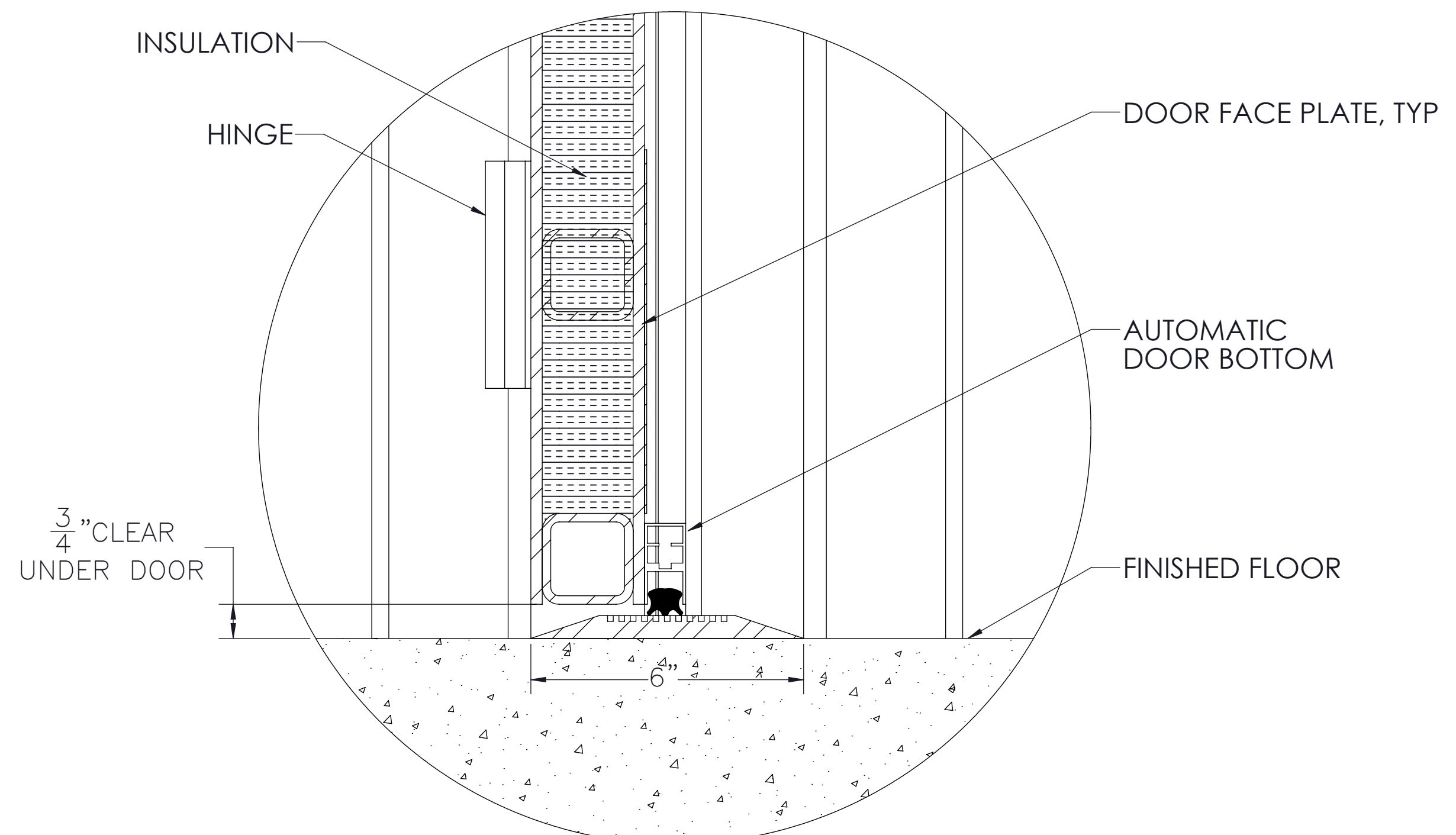


DETAIL R
SCALE 1 : 2.5
TYPICAL JAMB DETAIL (LATCH SIDE)

NOTE: DOOR ELEMENT DIMENSIONS AND SPECIFICATIONS MAY VARY DUE TO REQUIRED BLAST LOADS



DETAIL T
SCALE 1 : 2.5
TYPICAL HEADER DETAIL



DETAIL U
SCALE 1 : 2.5
TYPICAL FOOTER DETAIL

STANDARD BLAST DOOR DETAIL VIEWS

STANDARD BLAST DOOR DETAILS

PROPRIETARY NOTICE
THIS DRAWING CONTAINS PROPRIETARY INFORMATION OF GPS SPECIALTY DOORS AND IS THE PROPERTY OF GPS SPECIALTY DOORS. IT IS TO BE USED ONLY FOR THE PROJECT AND SITE SPECIFICALLY IDENTIFIED HEREIN. ANY REPRODUCTION, DISSEMINATION OR USE WITHOUT THE WRITTEN AUTHORIZATION OF GPS SPECIALTY DOORS IS STRICTLY PROHIBITED.

NO.	DATE	REGION	NAME

PROJECT:	STANDARD BLAST DOOR
LOCATION:	N/A
CUSTOMER:	N/A
SCALE:	NIS
DRAWN BY:	DKH
CHECKED BY:	
DATE:	12/6/2016
DATE:	
DATE:	
DATE:	
PROJECT NO.:	
SHEET NO.:	S3
PROJECT CODE:	STD 3X7

SECURE SIDE

UNSECURE SIDE



BENT PLATE A36 STEEL
SIZE DETERMINED BY
REQUIRED BLAST RATING

HEADED STUD,
SIZE AND NUMBER DETERMINED
BY REQ'D BLAST RATING

BRACE FOR SHIPPING

7'-3 ³/₈"
ROUGH
OPENING

UNSECURE
SIDE

SECURE
SIDE

TYPICAL EMBEDDED FRAME (BY OTHERS)
UNSECURE SIDE ELEVATION

THIS DRAWING IS THE PROPERTY OF
GPS
 SPECIALTY DOORS
 5 JUST ROAD, FAIRFIELD, NJ 07004
 (973) 775-6200 FAX: (973) 775-2177

**STANDARD BLAST DOOR
TYPICAL EMBEDDED FRAME**

PROPRIETARY NOTICE
 THIS DRAWING CONTAINS PROPRIETARY INFORMATION OF GPS SPECIALTY DOORS AND IS NOT TO BE REPRODUCED OR TRANSMITTED IN ANY FORM OR BY ANY MEANS, ELECTRONIC OR MECHANICAL, INCLUDING PHOTOCOPYING, RECORDING, OR BY ANY INFORMATION STORAGE AND RETRIEVAL SYSTEM, WITHOUT THE WRITTEN PERMISSION OF GPS SPECIALTY DOORS. ALL RIGHTS OF DESIGN AND INVENTION AND ANY REPRODUCTION, DISCLOSURE OR USE WITHOUT SPECIFIC WRITTEN AUTHORIZATION FROM GPS SPECIALTY DOORS IS STRICTLY PROHIBITED.

No.	DATE	REGION	NAME

PROJECT: STANDARD BLAST DOOR		SCALE: NTS	
LOCATION: N/A	DRAWN BY: DKH	DATE: 12/6/2016	CHECKED BY:
CUSTOMER: N/A	APPROVED:	DATE:	DATE:
ARCHITECT:	PROJECT NO.: STD 3X7	SHEET NO.: S4	DATE:
OWNER:	PROJECT CODE:	DATE:	DATE: